

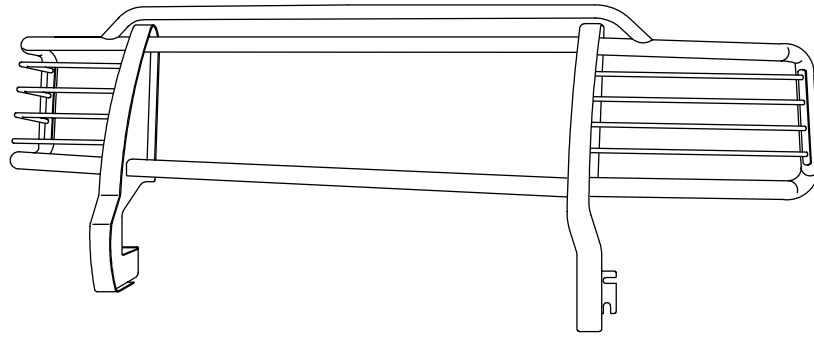


INSTALLATION INSTRUCTIONS

APPLICATION: 1999 FORD F-SERIES
 F250 - F350 - F450 - F550 SUPERDUTY
 2 & 4 WHEEL DRIVE

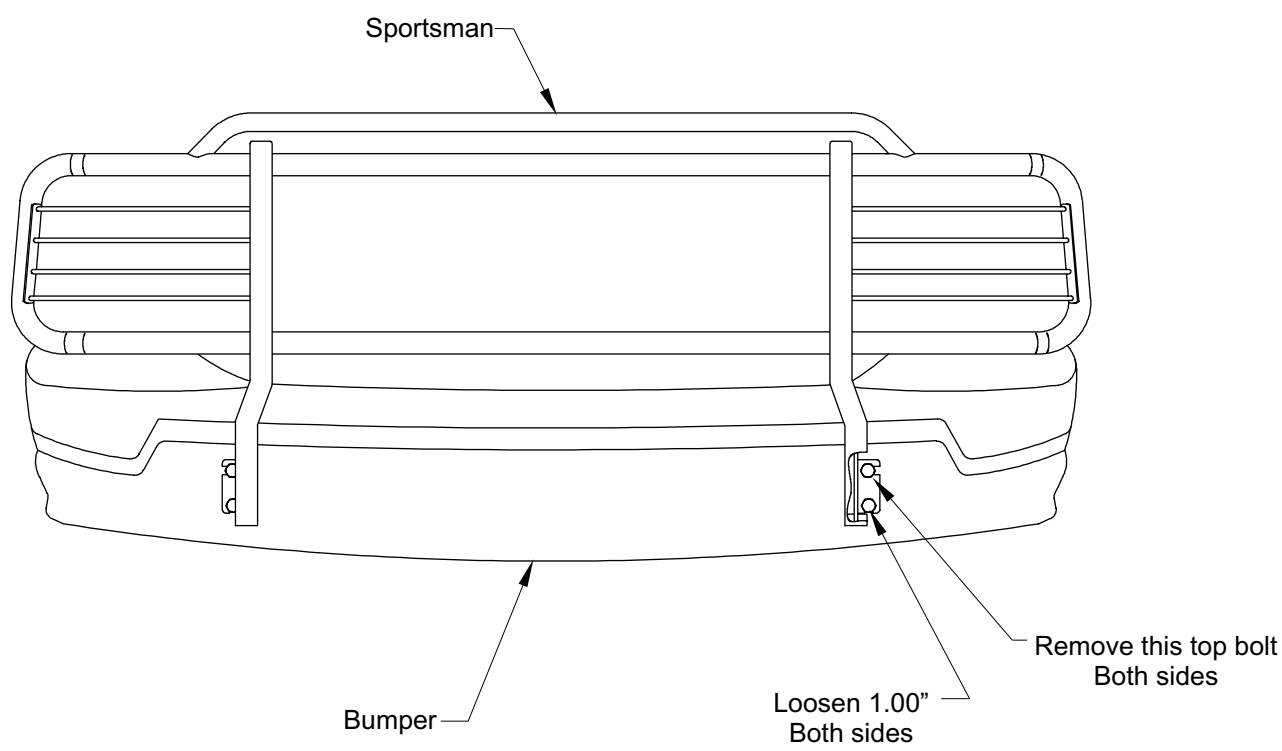
AUTOMOTIVE PRODUCTS, INC.

SPORTSMAN
 ASSEMBLY
 40-0225



QTY	PARTS KIT CONTENTS DESCRIPTION	TOOLS REQUIRED
	NO PARTS KIT ASSOCIATED WITH THIS APPLICATION	18MM SOCKET 6" EXTENSION RATCHET

- STEP 1. READ AND UNDERSTAND INSTRUCTIONS COMPLETELY BEFORE BEGINNING INSTALLATION.
- STEP 2. LOCATE THE FRONT FOUR (4) BOLTS THAT SUPPORT THE BUMPER OF THE VEHICLE. (SEE FIG. 1)
- STEP 3. REMOVE TOP BOLT ON EACH SIDE, THEN LOOSEN BOTTOM BOLTS APPROXIMATELY 1.00".
NOTE: TWO PEOPLE MAY BE NECESSARY TO COMPLETE THIS INSTALLATION.
- STEP 4. ALIGN VERTICAL SLOTS OF SPORTSMAN UPRIGHT ON THE BOTTOM BOLTS OF THE BUMPER.
- STEP 5. TILT SPORTSMAN BACK TO VERTICAL POSITION AND REPLACE TOP BOLTS THROUGH HORIZONTAL SLOT OF SPORTSMAN AND THROUGH HOLE IN BUMPER.
- STEP 6. RE-ALIGN FRONT BUMPER AND CENTER SPORTSMAN WITH FRONT OF VEHICLE.
- STEP 7. TIGHTEN BOLTS AND TORQUE TO 65 FT. LBS.



Finish protection - Westin products have a high quality finish that must be cared for like any other exposed finish on the vehicle. Protect the finish with a non-abrasive automotive wax (pure carnauba, for example) on a regular basis. The use of cleaner wax or any compound which contains an abrasive is detrimental, as the compounds scratch the finish and open it to corrosion.



Westin Automotive Products, Inc.
 5200 N. Irwindale Ave. Suite 220
 Irwindale, Ca. 91706

Thank You for choosing Westin products
 For additional installation assistance please call
 Customer service (800) 793-7846 or (507) 375-3559